

ASSEMBLY INSTRUCTION
7123-LA2101-2124



I			4	C		M8*45	4
G		5mm	1	B		M8*50	8
F			4	A		M8*30	40
E			4	NO	PART DIAGRAM	PART SIZE	Q T Y
NO	PART DIAGRAM	PART SIZE	Q T Y				

FIG. 1

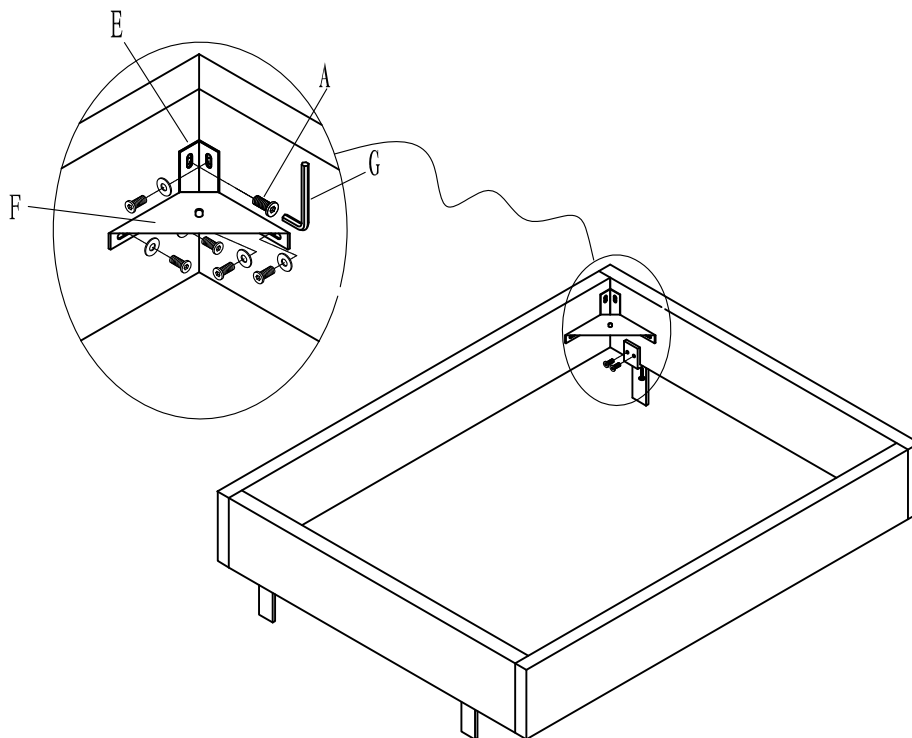


FIG. 2

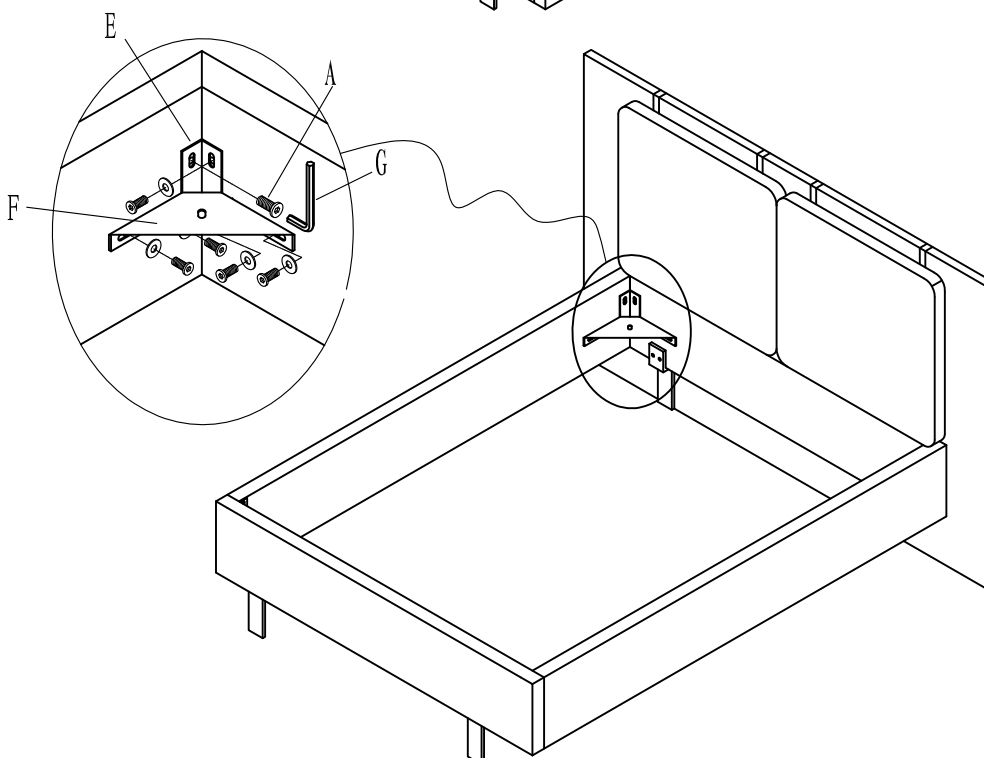


FIG.
3

