

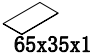


A	B	C
 M8x25	 P5	 65x35x1
16 PCS	2 PCS	2 PCS

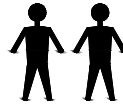


FIG.
1

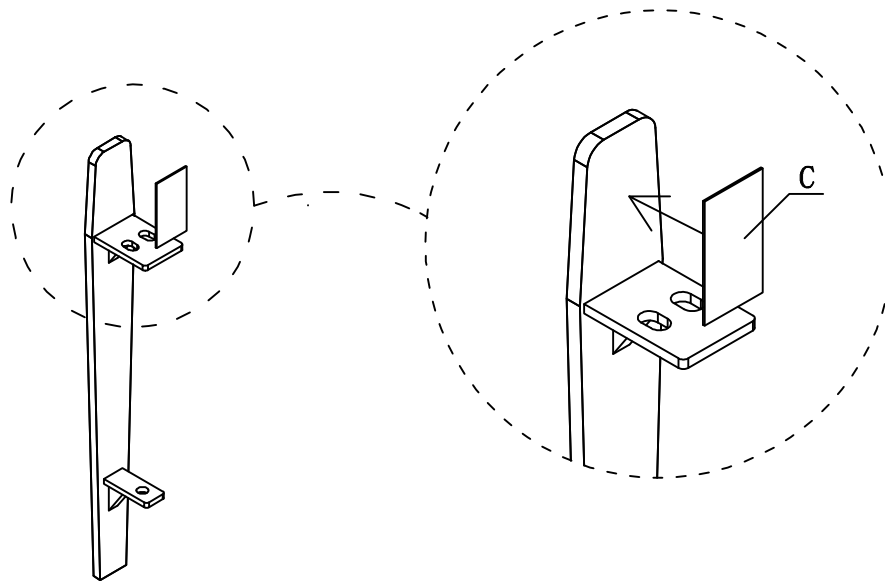
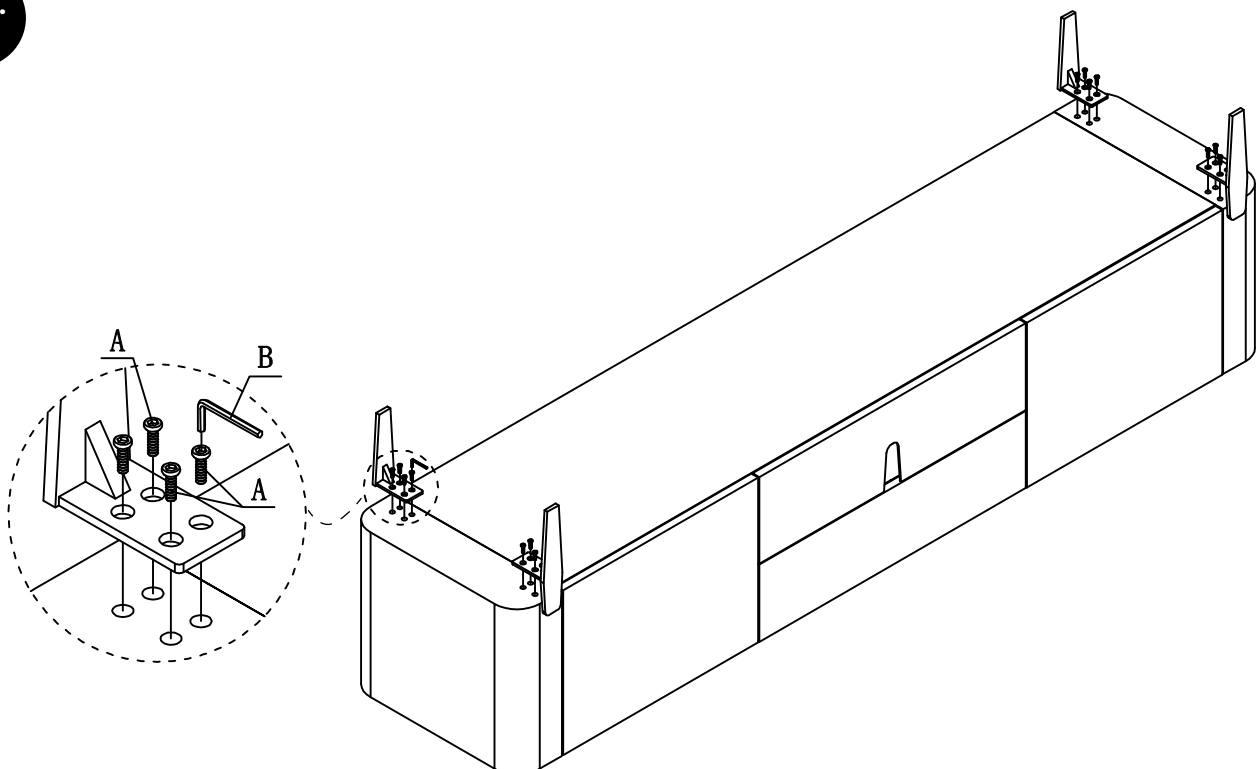


FIG.
2





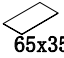
A	B	C
 M8x25	 P5	 65x35x1
16 PCS	2 PCS	2 PCS



FIG.
3

