

ASSEMBLY INSTRUCTION
1148-RT23067-2465

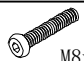
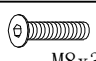

A	B	C
 M8x25	 M8x30	 5mm
8 PCS	10 PCS	1 PC

FIG.
1

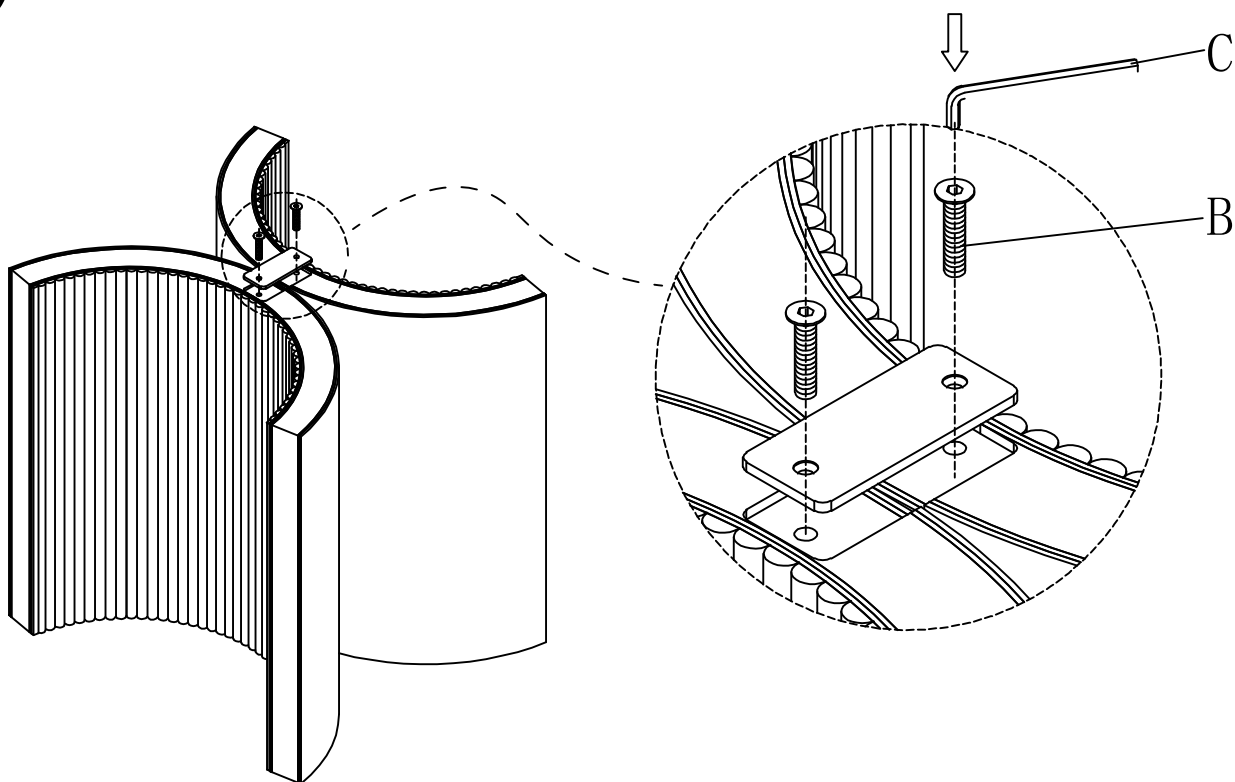
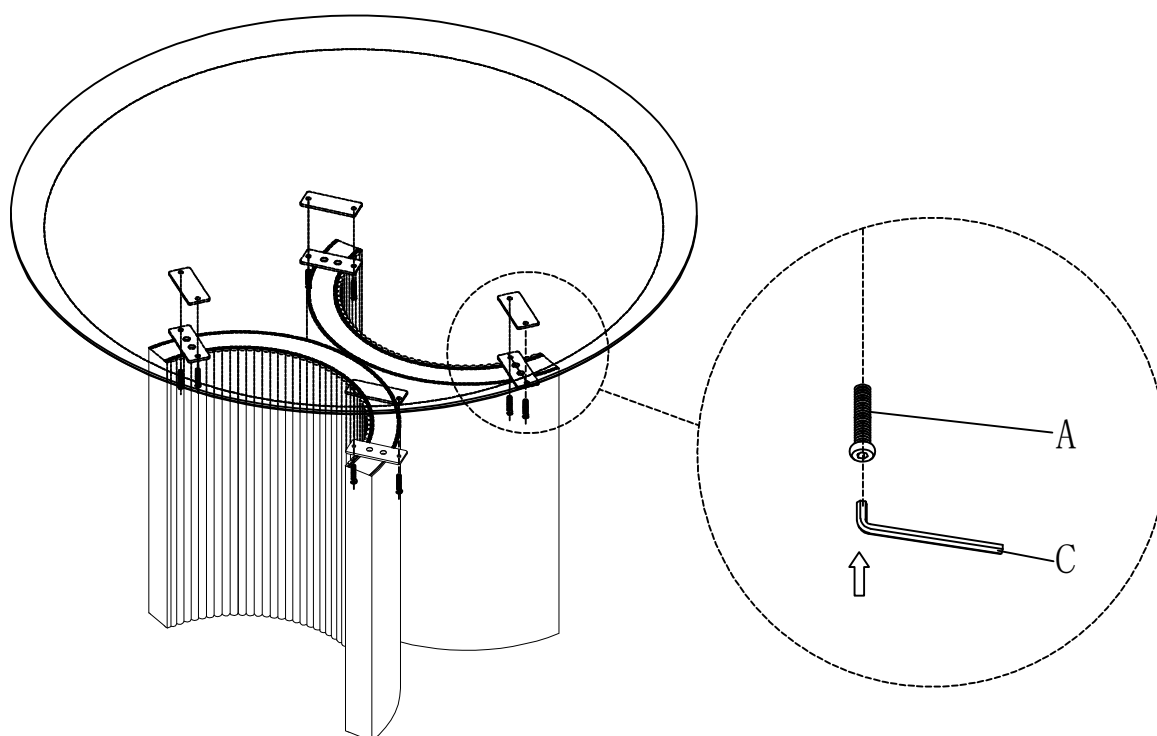


FIG.
2



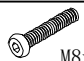
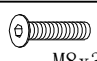
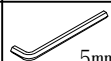
A	B	C
 M8x25	 M8x30	 5mm
8 PCS	10 PCS	1 PC

FIG.
3

